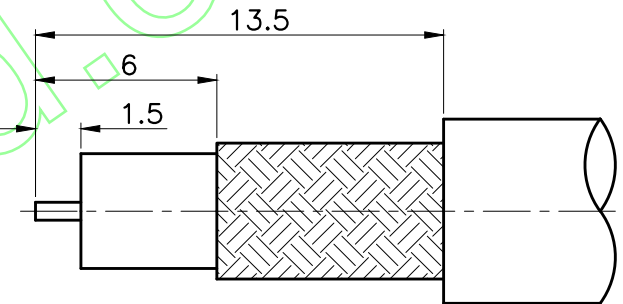
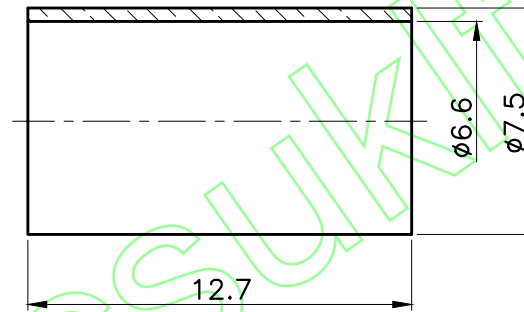
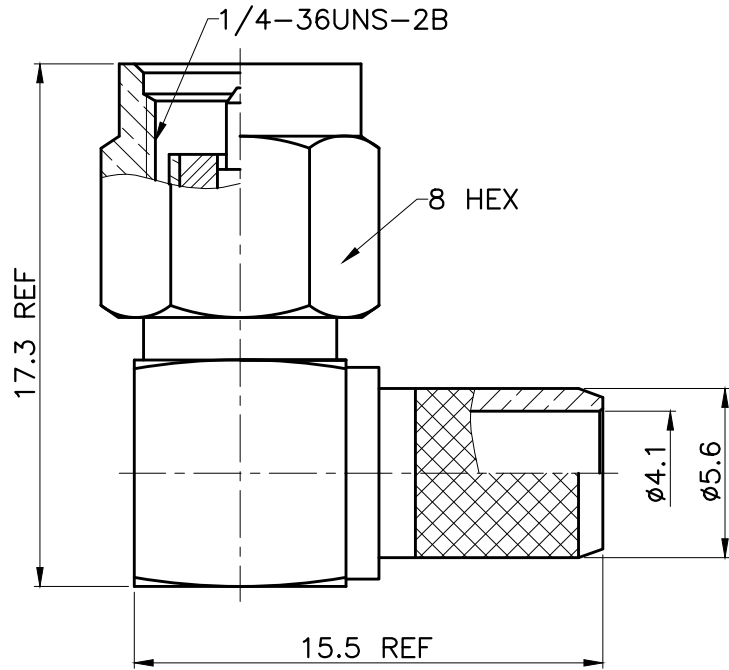
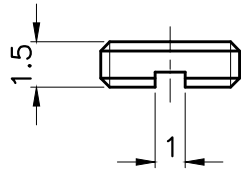


REVISIONS	
ISS	DESCRIPTION \ DATE

RoHS COMPLIANT



RECOMMENDED
CABLE STRIPPING DIM'S



1. CRIMPED FERRULE
HEX CRIMP SIZE .256"
2. CONTACT PIN TO SOLDER

CONNECTORS CABLES



SPECIALISTS LTD.

TITLE: SMA MALE RIGHT ANGLE CRIMP
(FOR LMR240)

PART NO: SMAPRACS240 01

029

DATE: 06/11/19"

UNIT: mm

DRAWING NO:

SHEET: .

SCALE: 4/1

	FERRULE	BRASS	GOLD
	SPIGOT	BRASS	GOLD
	BODY	BRASS	GOLD
	SHELL	BRASS	GOLD
	GASKET	RUBBER	RED
	C RING	BRASS	NONE
	CONTACT PIN	BRASS	GOLD
	INSULATOR	TEFLON	WHITE
	BODY	BRASS	GOLD
NO.	DESCRIPTION	MATERIAL	FINISH